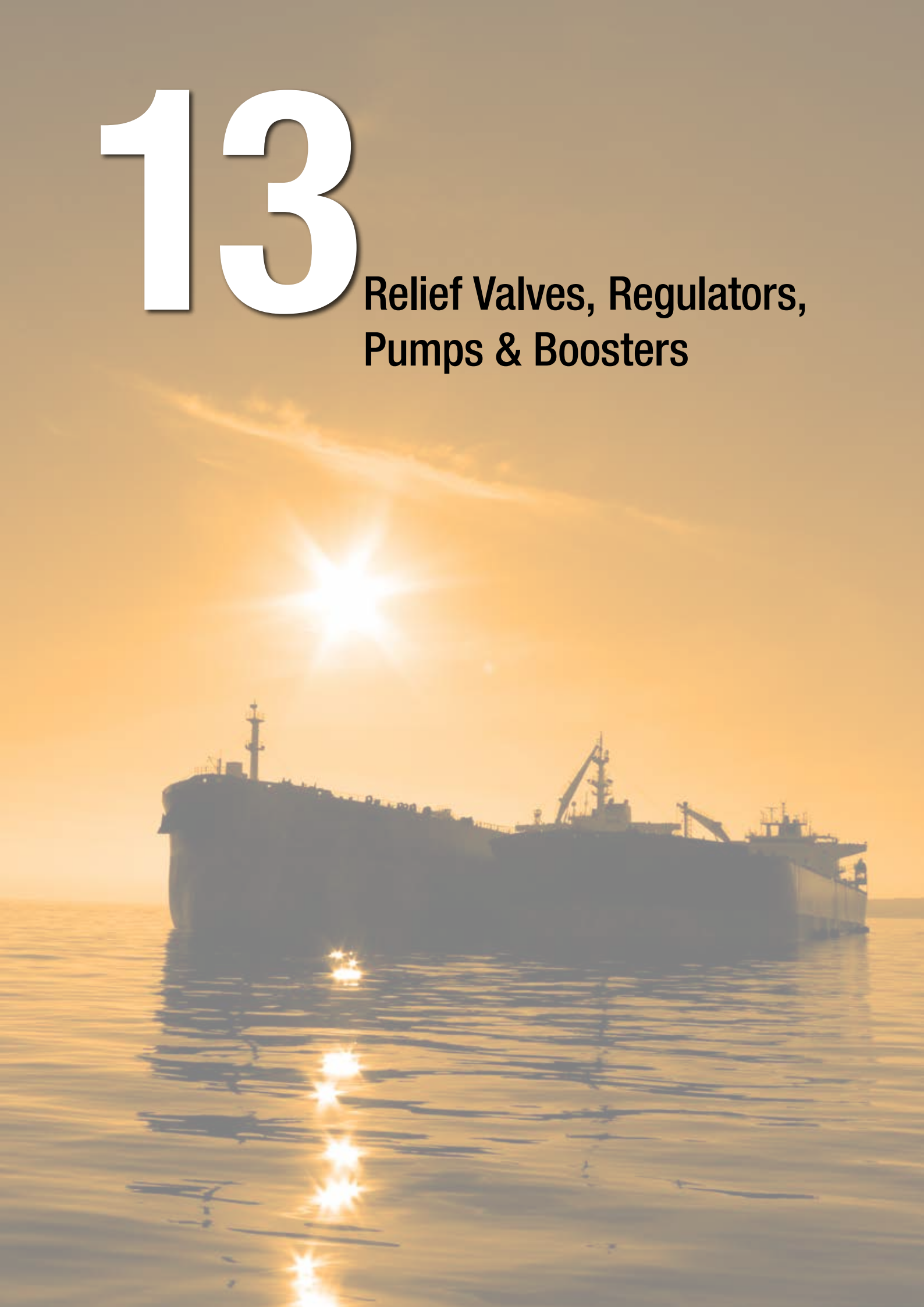


13

Relief Valves, Regulators, Pumps & Boosters



SAFETY RELIEF VALVE (L.P.)

TYPES: **S25, S37, S50, S75, S100**



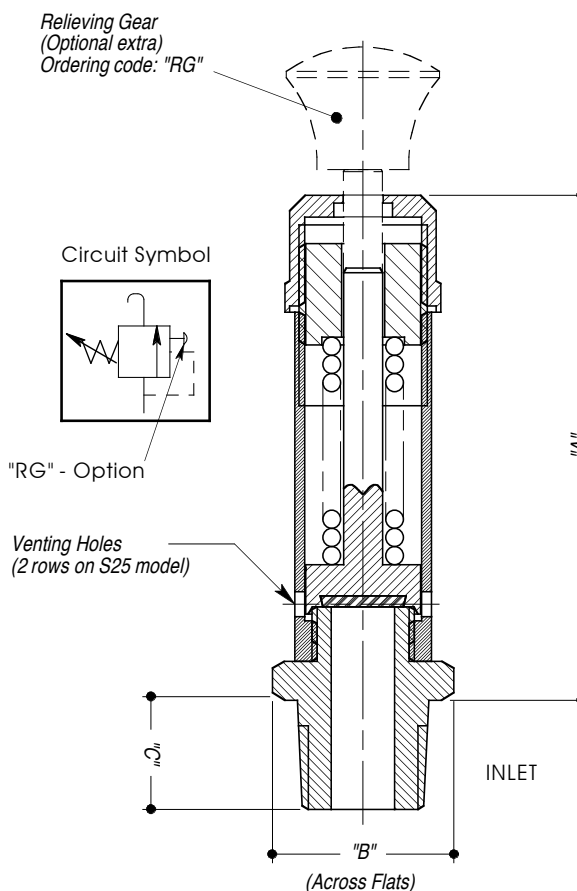
Valves Ltd

- **PRESSURE EQUIPMENT DIRECTIVE (PED) 97/23/EC APPROVED.**
- **STAINLESS STEEL (316 / 1.4404)**
- **MATERIAL OPTION: BRASS.**
- **SUITABLE FOR LIQUID OR GAS USE.**
- **VENTING TO ATMOSPHERE.**
- **ALL DIMENSIONS IN INCHES.**

- It is NOT recommended to operate this valve below 10 psi. (0.7 Bar).
- Stated pressure is maximum setting. Lower settings are available by using a range of different springs. Please confirm when ordering.
- Leaktight when 90% of "set pressure" is applied.
- Repeatability ±3% of "set pressure".
- Re-seating within 7.5% of "cracking pressure". (Pre-set cracking pressure is optional) State details when ordering.

SAFETY RELIEF VALVE SPRING RANGE TABLE	
Valve Type: S25, BS25	0 - 2B , 2 - 10B , 8 - 15B , 13 - 26B , 23 - 40B (B = Bar)
Valve Type: S37, BS37	0.7 - 2B , 2 - 7B , 6 - 12B , 11 - 25B , 20 - 40B (B = Bar)
Valve Type: S50, BS50	0.7 - 2B , 2 - 7B , 6 - 12B , 11 - 25B , 20 - 40B (B = Bar)
Valve Type: S75, BS75	0.7 - 2B , 2 - 7B , 6 - 12B , 11 - 25B , 20 - 40B (B = Bar)
Valve Type: S100	0.7 - 10B , 8 - 18B (B = Bar)

Select the Spring Range from the above table and add the number in 'BOLD' text (e.g. **12B**) to the end of the Model Code.



TECHNICAL SPECIFICATION						ORDERING EXAMPLE
Material Option (non-std)	B = Brass				N/A	—
Valve Type:	S25	S37	S50	S75	S100	S25
Porting / Connection Options:	P = BSP (Parallel) N = NPT (Taper)					N
Valve Options:	RG = Relieving Gear					RG
Pressure/Spring Options:	See table above					10B
Max. Working Press: Liquid/Gas	580 psi				260 psi	
Orifice Size:	Ø5mm	Ø9.8mm	Ø9.8mm	Ø9.8mm	Ø20.8mm	
Port Size:	1/4"	3/8"	1/2"	3/4"	1.0"	
Valve Seat Material:	Stainless Steel - 316/1.4404					
Seal Material:	Viton (other materials available by request)					
Dry Weight: (kg)	0.2	0.25	0.3	0.35	1.0	
Working Temperature Range:	-10°C to +160°C					
Dimension (ins)	Length "A"	2.50"	3.30"	3.30"	3.30"	4.95"
	"B" A/Flats	0.750"	1.01"	1.01"	1.30"	1.86"
	Length "C"	0.50"	0.60"	0.60"	0.75"	1.00"

SAFETY RELIEF VALVE (L.P.)

TYPES: **TS25, TS37, TS50, TS75, TS100**



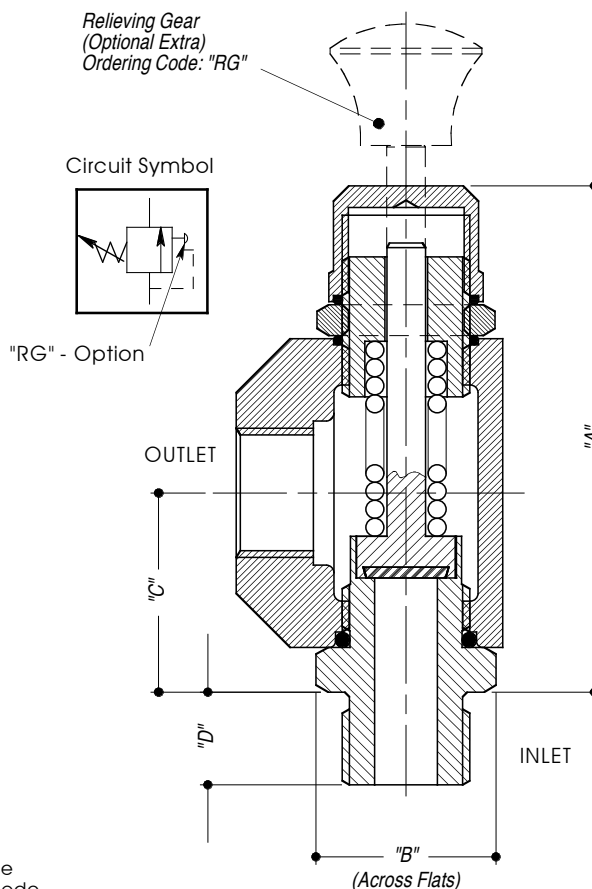
Valves Ltd

- **PRESSURE EQUIPMENT DIRECTIVE (PED) 97/23/EC APPROVED.**
- **STAINLESS STEEL (316 / 1.4404)**
- **SUITABLE FOR LIQUID OR GAS USE.**
- **ALL DIMENSIONS IN INCHES.**

- It is NOT recommended to operate this valve below 10 psi. (0.7 Bar).
- Stated pressure is maximum setting. Lower settings are available by using a range of different springs. Please confirm when ordering.
- Leaktight when 90% of "set pressure" is applied.
- Repeatability ±3% of "set pressure".
- Re-seating within 7.5% of "cracking pressure". (Pre-set cracking pressure is optional) State details when ordering.
- Recommended MAXIMUM back pressure 145 psi. (10 Bar).

SAFETY RELIEF VALVE SPRING RANGE TABLE	
Valve Type: TS25	0.7 - 2B , 2 - 10B , 8 - 15B , 13 - 26B , 23 - 40B (B = Bar)
Valve Type: TS37	0.7 - 2B , 2 - 7B , 6 - 12B , 11 - 25B , 20 - 40B (B = Bar)
Valve Type: TS50	0.7 - 2B , 2 - 7B , 6 - 12B , 11 - 25B , 20 - 40B (B = Bar)
Valve Type: TS75	0.7 - 2B , 2 - 7B , 6 - 12B , 11 - 25B , 20 - 40B (B = Bar)
Valve Type: TS100	0.7 - 10B , 8 - 18B , 18 - 28B (B = Bar)

Select the Spring Range from the above table and add the number in '**BOLD**' text (e.g. **12B**) to the end of the Model Code.



TECHNICAL SPECIFICATION						ORDERING EXAMPLE
Valve Type:	TS25	* TS37	TS50	TS75	TS100	TS25
Porting / Connection Options:	P = BSP (Parallel) N = NPT (Taper)					N
Valve Options:	RG = Relieving Gear					—
Pressure/Spring Options:	See table above					10B
Max. Working Press: Liquid/Gas	580 psi				400 psi	
Orifice Size:	Ø5mm	Ø9.8mm	Ø9.8mm	Ø9.8mm	Ø20.8mm	
Port Size:	1/4"	3/8"	1/2"	3/4"	1.0"	
Valve Seat Material:	Stainless Steel - 316/1.4404					
Seal Material:	Viton (other materials available by request)					
Dry Weight: (kg)	0.2	0.25	0.3	0.35	2.0	
Working Temperature Range:	-10°C to +120°C					
Dimension (ins)	Length "A"	2.50"	3.30"	3.30"	3.30"	4.95"
	"B" A/Flats	0.750"	1.01"	1.01"	1.30"	1.86"
	Length "C"	0.730"	1.43"	1.39"	1.44"	1.85"
	Length "D"	0.450"	0.60"	0.70"	0.75"	0.81"

Technical Specification Notes:-

* The **TS37** valve is fitted with a 1/2" Female Outlet and 3/8" Male Inlet Port as standard.

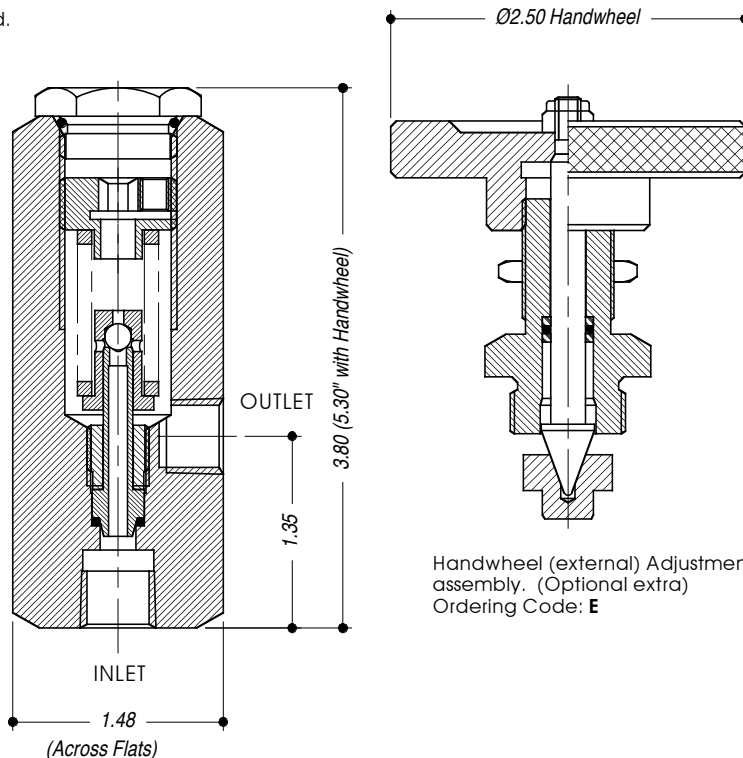
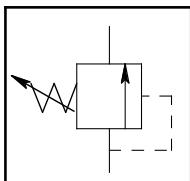
RELIEF VALVE (H.P.) TYPES: RL25, RL37



- **PRESSURE EQUIPMENT DIRECTIVE (PED) 97/23/EC APPROVED.**
- **STAINLESS STEEL (316 / 1.4404)**
- **SUITABLE FOR LIQUID USE.**
- **ALL DIMENSIONS IN INCHES.**

- Leaktight when 90% of "set pressure" is applied.
- Repeatability $\pm 5\%$ of "set pressure".
- Re-seating within 20% of "cracking pressure". (Pre-set cracking pressure is optional) State details when ordering.
- Recommended **MAXIMUM** back pressure 1,000 psi. (70 Bar).
- Mounting details for the **RL25-E** only. Hole panel dia: $\varnothing 0.75"$ Panel thickness: 0.125" to 0.250"

Circuit Symbol



Handwheel (external) Adjustment assembly. (Optional extra) Ordering Code: **E**

TECHNICAL SPECIFICATION			ORDERING EXAMPLE
Valve Type:	RL25	RL37	RL25
Porting / Connection Options: (*AE" threads fitted only to the INLET port)	P = BSP (Parallel) N = NPT (Taper) 44AE (1/4" O.D. Tube) 56AE (3/8" O.D. Tube) 81AE (9/16" O.D. Tube)		N
Autoclave Outlet Port Options:	25N (1/4" NPT)	37N (3/8" NPT)	—
Valve Options:	E = Handwheel (external) Adjustment		—
Working Media: (std)	Oil / Water Glycol Duty (no ordering code req'd)		—
Working Media: (options)	WD = Water Duty SWD = Sea Water Duty		—
Press. Range:	0.4K - 1.6K psi, 1K - 4K psi, 3K - 9K psi, 8K - 15K psi Max W.P.		9K
Orifice Size:	$\varnothing 0.125"$		
Port Size:	1/4"	3/8"	
Valve Seat Mat'l: (standard)	Stainless Steel - 440C (liquid use)		
Valve Seat Mat'l: (options)	1.4542 St.Steel - Water Duty Inconel - Sea Water Duty		
Seal Material:	Viton (other materials available by request)		
Dry Weight: (kg)	1.2	1.2	
Working Temperature Range:	-10°C to +120°C		
Flow Rate:	Contact factory for details		

Technical Specification Notes:-

* Other materials available (Monel, Inconel, Hastelloy) subject to PED approval.



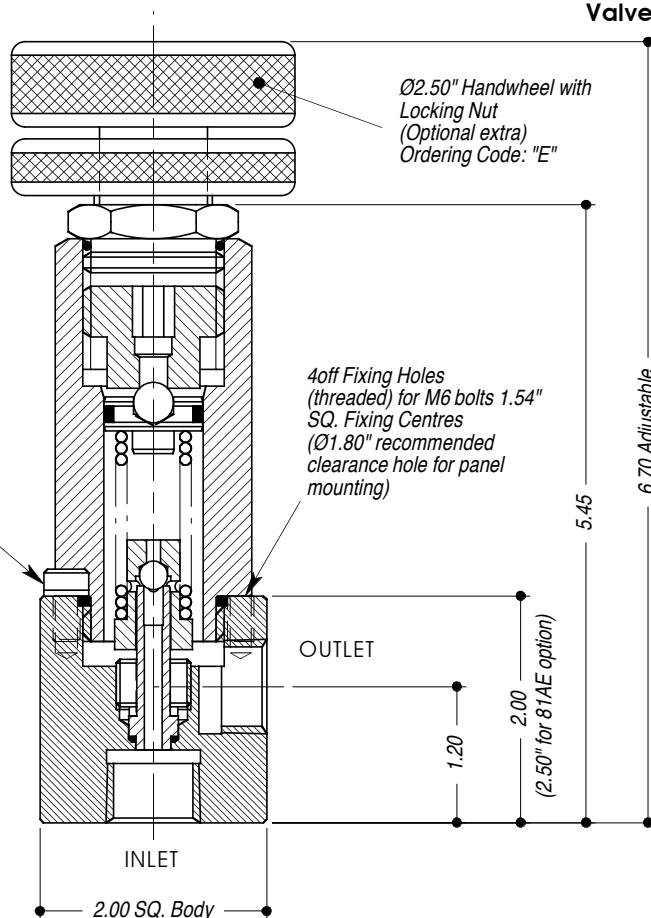
Valves Ltd

RELIEF VALVE (H.P.) TYPE: RL50

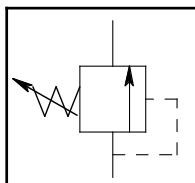
- **PRESSURE EQUIPMENT DIRECTIVE (PED) 97/23/EC APPROVED.**
- **STAINLESS STEEL (316 / 1.4404)**
- **SUITABLE FOR LIQUID USE.**
- **ALL DIMENSIONS IN INCHES**

- Leaktight when 90% of "set pressure" is applied.
- Repeatability $\pm 5\%$ of "set pressure".
- Re-seating within 20% of "cracking pressure".
(Pre-set cracking pressure is optional)
State details when ordering.
- Recommended MAXIMUM back pressure 1,000 psi. (70 Bar).

Locking Screw and Washer
(can be removed when
mounting valve to a panel)



Circuit Symbol



TECHNICAL SPECIFICATION		ORDERING EXAMPLE
Valve Type:	RL50	RL50
Porting / Connection Options: (*AE* threads fitted only to the INLET port)	P = BSP (Parallel) N = NPT (Taper) 56AE (3/8" O.D. Tube) 81AE (9/16" O.D. Tube)	N
Autoclave Outlet Port Options:	50N (1/2" NPT)	---
Valve Options:	E = Handwheel (external) Adjustment	---
Working Media: (standard)	Oil / Water Glycol Duty (no ordering code req'd)	---
Working Media: (options)	WD = Water Duty SWD = Sea Water Duty	---
Press. Range:	200 - 1.6K psi, 1 - 5K psi 4K - 15K psi Max W.P.	5K
Orifice Size:	Ø6.0mm Ø4.1mm	
Port Size:	1/2"	
Valve Seat Mat'l: (standard)	Stainless Steel - 440C (liquid use)	
Valve Seat Mat'l: (options)	1.4542 St.Steel - Water Duty Inconel - Sea Water Duty	
Seal Material:	Viton (other materials available by request)	
Dry Weight: (kg)	1.75	
Working Temperature Range:	-10°C to +120°C	
Flow Rate:	Contact factory for details	

Technical Specification Notes:-

* Other materials available (Monel, Inconel, Hastelloy) subject to PED approval.

RELIEF VALVE (H.P.) TYPE: RL75



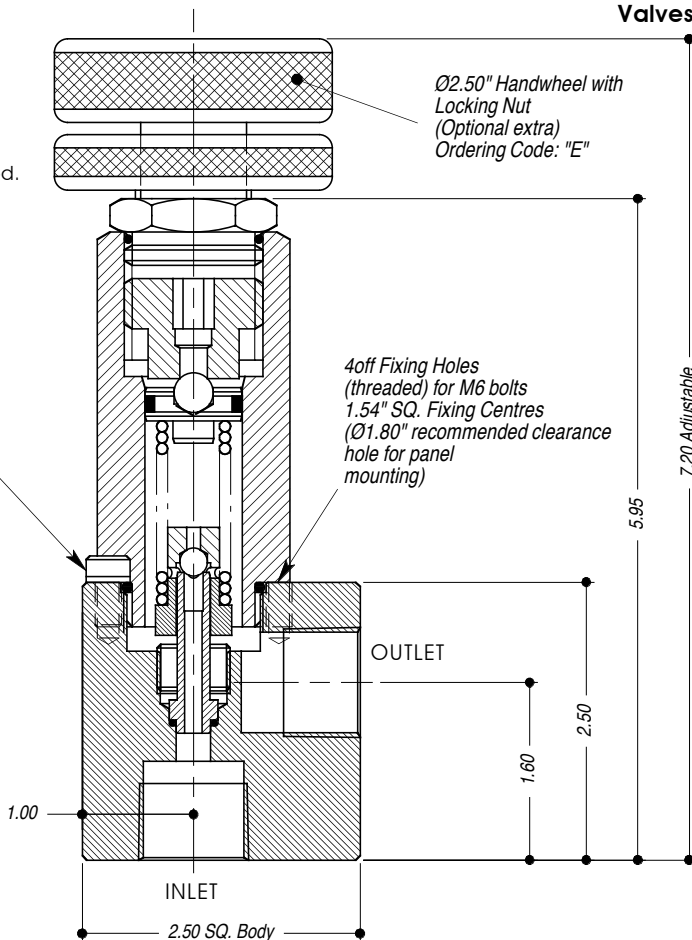
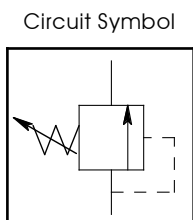
Valves Ltd

- PRESSURE EQUIPMENT DIRECTIVE (PED) 97/23/EC APPROVED.
- STAINLESS STEEL (316 / 1.4404)
- SUITABLE FOR LIQUID USE.
- ALL DIMENSIONS IN INCHES

- Leaktight when 90% of "set pressure" is applied.
- Repeatability ±5% of "set pressure".
- Re-seating within 20% of "cracking pressure". (Pre-set cracking pressure is optional) State details when ordering.
- Recommended MAXIMUM back pressure 1,000 psi. (70 Bar).

Locking Screw and Washer
(can be removed when mounting valve to a panel)

4 off Fixing Holes
(threaded) for M6 bolts
1.54" SQ. Fixing Centres
(Ø1.80" recommended clearance hole for panel mounting)



TECHNICAL SPECIFICATION		ORDERING EXAMPLE
Valve Type:	RL75	RL75
Porting / Connection Options: (*AE* threads fitted only to the INLET port)	P = BSP (Parallel) N = NPT (Taper) 103AE (3/4" O.D. Tube)	N
Autoclave Outlet Port Options:	75N (3/4" NPT)	—
Valve Options:	E = Handwheel (external) Adjustment	—
Working Media: (standard)	Oil / Water Glycol Duty (no ordering code req'd)	—
Working Media: (options)	WD = Water Duty SWD = Sea Water Duty	—
Press. Range:	200 - 1.6K psi, 1 - 5K psi 4K - 15K psi Max W.P.	5K
Orifice Size:	Ø6.0mm Ø4.1mm	
Port Size:	3/4"	
Valve Seat Mat'l: (standard)	Stainless Steel - 440C (liquid use)	
Valve Seat Mat'l: (options)	1.4542 St.Steel - Water Duty Inconel - Sea Water Duty	
Seal Material:	Viton (other materials available by request)	
Dry Weight: (kg)	2.00	
Working Temperature Range:	-10°C to +120°C	
Flow Rate:	Contact factory for details	

Technical Specification Notes:-

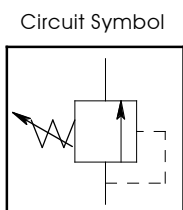
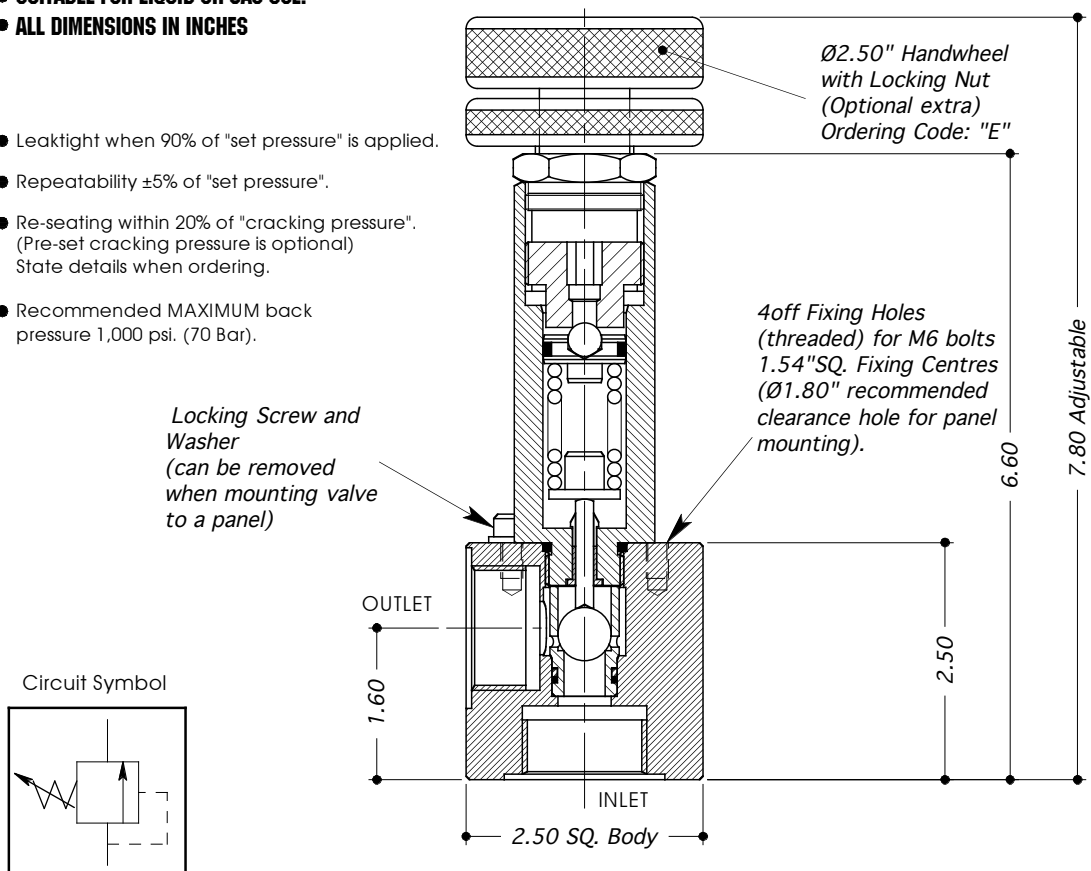
* Other materials available (Monel, Inconel, Hastelloy) subject to PED approval.

RELIEF VALVE (H.P.) TYPE: RL100-G



- **PRESSURE EQUIPMENT DIRECTIVE (PED) 97/23/EC APPROVED.**
- **STAINLESS STEEL (316 / 1.4404)**
- **SUITABLE FOR LIQUID OR GAS USE.**
- **ALL DIMENSIONS IN INCHES**

- Leaktight when 90% of "set pressure" is applied.
- Repeatability $\pm 5\%$ of "set pressure".
- Re-seating within 20% of "cracking pressure".
(Pre-set cracking pressure is optional)
State details when ordering.
- Recommended MAXIMUM back pressure 1,000 psi. (70 Bar).



TECHNICAL SPECIFICATION		ORDERING EXAMPLE
Valve Type:	RL100	RL100
Porting / Connection Options:	P = BSP (Parallel) N = NPT (Taper)	N
Valve Options:	E = Handwheel (external) Adjustment	—
Soft Seated Valve:	G	G
Press. Range:	0.7 - 3K psi Max W.P.	3K
Orifice Size:	Ø0.437"	
Port Size:	1.0"	
Valve Seat Material:	Torlon	
Seal Material:	Viton (other materials available by request)	
Dry Weight: (kg)	2.75	
Working Temperature Range:	-10°C to +80°C	
Flow Rate:	Contact factory for details	

Technical Specification Notes:-

* Other materials available (Monel, Inconel, Hastelloy) subject to PED approval.

C.1108.00.0066 09/07



RELIEF VALVE - 316

TYPE 510 SERIES

Part. no	Pressure	Connection	Description
510INHPS04	260 BAR	NPT	3/4"Male x 1"Female, 12mm Orifice
510INHPS05	260 BAR	NPT	1"Male x 1"Female, 12mm Orifice
510INHPV04	360 BAR	NPT	3/4"Male x 1"Female, 10mm Orifice
510INHPV05	360 BAR	NPT	1"Male x 1"Female, 10mm Orifice



DK TECH - RELIEF VALVE 316

V63- SERIES

Part. no	Pressure	Connection	Description
V63-F-4G-S-CE	3000 PSI	1/4" BSPP	Female x Female, 10 - 250 PSI
V63-MF-4N-S-CE	3000 PSI	1/4" NPT	Male x Female, 10 - 250 PSI
V63-MF-4G-S-CE	3000 PSI	1/4" BSPP	Male x Female, 10 - 250 PSI
V63-MF-6N-S-CE	3000 PSI	3/8" NPT	Male x Female, 10 - 250 PSI
V63-MF-8N-S-CE	3000 PSI	1/2" NPT	Male x Female, 10 - 250 PSI
V63-MF-8G-S-CE	3000 PSI	3/8" BSPP	Male x Female, 10 - 250 PSI
V63-MF-8G-S-CE	3000 PSI	1/2" BSPP	Male x Female, 10 - 250 PSI
V63-MF-4N-S-CE-10BAR		1/4" NPT	Male x Female, Ferdig satt 10 Bar
RVS-L	0-250 PSI		Fjør til V63 serie



DK TECH - RELIEF VALVE 316

V64- SERIES

Part. no	Pressure	Connection	Description
V64-MF-12N16N-3-S	15-5000 PSI	3/4" x 1" NPT	MxF NPT, Orifice 10,26mm, 316, Soft seat
V64-MF-16N-3-S	15-5000 PSI	1" NPT	MxF NPT, Orifice 10,26mm, 316. Soft seat
V64-MF-12G16G-3-S	15-5000 PSI	3/4" x 1" BSPP	MxF BSPP, Orifice 10,26mm, 316. Soft seat
V64-MF-16G-3-S	15-5000 PSI	1" BSPP	MxF BSPP, Orifice 10,26mm, 316. Soft seat



DK TECH - RELIEF VALVE 316
V66- SERIES

Part. no	Pressure	Connection	Description
V66-D-6M-S-CE	6000 PSI	6mm OD	DK-Lok Twin Ferrules
V66-D-10M-S-CE	6000 PSI	10mm OD	DK-Lok Twin Ferrules
V66-D-12M-S-CE	6000 PSI	12mm OD	DK-Lok Twin Ferrules
V66-F-4N-S-CE	6000 PSI	1/4" NPT	Female x Female
V66-F-4G-S-CE	6000 PSI	1/4" BSPP	Female x Female
V66-F-6N-S-CE	6000 PSI	3/8" NPT	Female x Female
V66-F-6G-S-CE	6000 PSI	3/8" NPT	Female x Female
V66-F-8N-S-CE	6000 PSI	1/2" NPT	Female x Female
V66-F-8G-S-CE	6000 PSI	1/2" BSPP	Female x Female
V66-MF-4N-S-CE	6000 PSI	1/4" NPT	Male x Female
V66-MF-4G-S-CE	6000 PSI	1/4" BSPP	Male x Female
V66-MF-6N-S-CE	6000 PSI	3/8" NPT	Male x Female
V66-MF-6G-S-CE	6000 PSI	3/8" BSPP	Male x Female
V66-MF-8N-S-CE	6000 PSI	1/2" NPT	Male x Female
V66-MF-8G-S-CE	6000 PSI	1/2" BSPP	Male x Female
RVS-A	220 - 350 PSI		Fjør til V66 series
RVS-B	350 - 750 PSI		Fjør til V66 series
RVS-C	750 - 1500 PSI		Fjør til V66 series
RVS-D	1500 - 2250 PSI		Fjør til V66 series
RVS-E	2250 - 3000 PSI		Fjør til V66 series
RVS-F	3000 - 4000 PSI		Fjør til V66 series
RVS-G	4000 - 5000 PSI		Fjør til V66 series
RVS-H	5000 - 6000 PSI		Fjør til V66 series



HIP RELIEF VALVE

Part. no	Pressure	Connection	Description
HIP-10RV	1000-10000 PSI	1/4" NPT	
HIP-20RV	1000-10000 PSI	1/4" HP	

FLANGED RELIEF VALVE, HIGH PRESSURE RELIEF VALVE, VACUUM RELIEF VALVE





AIR REGULATOR - Alu + Plastikk

MARSH BELLOFRAM

Part. no	Pressure	Connection	Description
M1-R-2P-E	0-100 PSI	1/4" BSP	Flow SCFM 60
M2-R-2P-E	0-100 PSI	1/4" BSP	Flow SCFM 90
M2-R-4P-E	0-100 PSI	1/2" BSP	Flow SCFM 120



FILTER REGULATOR - Alu + Plastikk

MARSH BELLOFRAM

Part. no	Pressure	Connection	Description
M1-FR-2P-E	10 BAR	1/4" BSP	Flow SCFM 60
M2-FR-4P-E	10 BAR	1/2" BSP	Flow SCFM 120



FILTER REGULATOR + LUBRICATOR - Alu + Plastikk

MARSH BELLOFRAM

Part. no	Pressure	Connection	Description
M1-FRP-2P-E	0-100 PSI	1/4" BSP	Flow SCFM 60
M2-FRP-4P-E	0-100 PSI	1/2" BSP	Flow SCFM 120



FILTER - Alu + Plastikk

MARSH BELLOFRAM

Part. no	Pressure	Connection	Description
M1-F-2P-F	120 PSI	1/4" BSP	Flow SCFM 85, 50 Micron
M2-F-4P-F	120 PSI	1/2" BSP	Flow SCFM 120, 50 Micron



LUBRICATOR - Alu + Plastikk

MARSH BELLOFRAM

Part. no	Pressure	Connection	Description
M1-L-2P		1/4" BSP	Flow SCFM 115
M2-L-4P		1/2" BSP	Flow SCFM 125



FILTER REGULATOR - 316

MARSH BELLOFRAM

Part. no	Pressure	Connection	Description
T-51SSFR	10 BAR	1/4" NPT	Inkl. brakett & Manometer
T-90SSFR	8 BAR	1/4" NPT	Mini type, Inkl. Brakett & Manom.



PRESSURE REDUCING VALVE GUNMETAL

Part. no	Pressure	Connection	Description
DRV225-015	40 BAR	1/2" BSPP	
DRV225-020	40 BAR	3/4" BSPP	
DRV225-025	40 BAR	1" BSPP	
DRV225-032	40 BAR	1-1/4" BSPP	
DRV225-040	40 BAR	1-1/2" BSPP	
DRV225-050	40 BAR	2" BSPP	

Available in BSPP and other difference model.

PREMIER Pressure regulators & back pressure reg.

Pressures from 100 PSI to 20 000 PSI. CV from 0,06 up to 5. Conn. NPT/BSPP/MP



LEVER OPERATED HAND PUMP - CARBON STEEL

Part. no	Pressure	Connection	Description
PMS12-PRV	250 BAR	1/2" BSPP	
PMS25-PRV	130 BAR	1/2" BSPP	
PMS45-PRV	80 BAR	1/2" BSPP	



L3 (Stainless Steel) & L3C (Carbon Steel) Series Pumps

Part. no	Pressure	Connection	Description
	Max Pressure	Flow	
L3-15	2250 PSI	3,5 LPM	RATIO 20:1
L3-25	3500 PSI	2,8 LPM	RATIO 31:1
L3-35	4375 PSI	2,1 LPM	RATIO 40:1
L3-45	6125 PSI	1,6 LPM	RATIO 55:1
L3-65	8875 PSI	1,1 LPM	RATIO 79:1
L3-105	14000 PSI	0,6 LPM	RATIO 123:1
L3-125	15600 PSI	0,5 LPM	RATIO 138:1

For handpump, insert M004. Example L3-M004-105



10-4 Series Air driven Pump, Alu.Bronze & Stainless Steel

Part. no	Pressure	Connection	Description
10-4000W003	515 PSI	12 LPM	RATIO 5:1
10-4000W005	965 PSI	8,5 LPM	RATIO 10:1
10-4000W010	1800 PSI	4,5 LPM	RATIO 15:1
10-4000W015	2850 PSI	2,8 LPM	RATIO 30:1
10-4000W020	3550 PSI	2,6 LPM	RATIO 35:1
10-4000W030	5550 PSI	1,6 LPM	RATIO 55:1
10-4000W050	9900 PSI	0,7 LPM	RATIO 100:1
10-4000W080	14000 PSI	0,6 LPM	RATIO 140:1
10-4000W125	22000 PSI	0,35 LPM	RATIO 220:1



10-5 Series Air driven Pump, AluBronze & Stainless Steel

Part. no	Pressure	Connection	Description
10-5000W003	465 PSI	30 LPM	RATIO 5:1
10-5000W005	1000 PSI	22 LPM	RATIO 10:1
10-5000W007	1225 PSI	18 LPM	RATIO 12:1
10-5000W010	1900 PSI	11 LPM	RATIO 20:1
10-5000W015	2625 PSI	8,5 LPM	RATIO 25:1
10-5000W018	3075 PSI	7 LPM	RATIO 30:1
10-5000W020	3625 PSI	6 LPM	RATIO 35:1
10-5000W030	5800 PSI	3,5 LPM	RATIO 55:1
10-5000W040	7000 PSI	3 LPM	RATIO 70:1
10-5000W045	8600 PSI	3 LPM	RATIO 85:1
10-5000W060	10700 PSI	1,9 LPM	RATIO 105:1
10-5000W080	14000 PSI	1,5 LPM	RATIO 140:1
10-5000W100	18750 PSI	1,1 LPM	RATIO 195:1
10-5000W160	27500 PSI	0,7 LPM	RATIO 280:1
10-5000W250	42500 PSI	0,4 LPM	RATIO 440:1
10-5000W350	55000 PSI	0,3 LPM	RATIO 555:1



10-6 Series Air driven Pump, AluBronze & Stainless Steel

Part. no	Pressure	Connection	Description
10-6000W003	500 PSI	64 LPM	RATIO 5:1
10-6000W005	1000 PSI	35 LPM	RATIO 10:1
10-6000W010	2150 PSI	16 LPM	RATIO 20:1
10-6000W015	2700 PSI	13 LPM	RATIO 25:1
10-6000W020	3600 PSI	10 LPM	RATIO 35:1
10-6000W030	6000 PSI	6 LPM	RATIO 55:1
10-6000W050	9700 PSI	4 LPM	RATIO 95:1
10-6000W080	14400 PSI	2,7 LPM	RATIO 145:1
10-6000W100	18000 PSI	2,1 LPM	RATIO 180:1
10-6000W151	23700 PSI	1,5 LPM	RATIO 240:1
10-6000W201	32300 PSI	1,1 LPM	RATIO 330:1
10-6000W301	45800 PSI	0,7 LPM	RATIO 460:1
10-6000W402	65000 PSI	0,4 LPM	RATIO 740:1



L6 SERIES LIQUID PUMPS

Part. no	Pressure	Connection	Description
L6-000-40			Ratio 40:1
L6-000-60			Ratio 60:1
L6-000S-100			Ratio 100:1



L10 Series Double Acting Liquid Pumps

Part. no	Pressure	Connection	Description
L10-33	3500 PSI	28 LPM	RATIO 32,6:1
L10-66	7500 PSI	13 LPM	RATIO 64,0:1
L10-114	12000 PSI	9 LPM	RATIO 113,9:1
L10-177	20000 PSI	5 LPM	RATIO 177,8:1
L10-256	30000 PSI	3,2 LPM	RATIO 256,0:1



GAS BOOSTER, Single Stage-Single Acting

Part. no	Pressure	Connection	Description
	Max Inlet	Max outlet	Maximum Compression
GB-15	2250 PSI	2250 PSI	RATIO 20:1
GB-30	4500 PSI	4500 PSI	RATIO 25:1
GB-75	6000 PSI	11250 PSI	RATIO 25:1

Single Stage-Single Acting, Double Head Booster

Part. no	Pressure	Connection	Description
GB-D30	6000 PSI	9000 PSI	RATIO 25:1
GB-D75	6000 PSI	20000 PSI	RATIO 25:1



Single Stage-Double Acting Booster

Part. no	Pressure	Connection	Description
GBD-5	1500 PSI	1500 PSI	RATIO 10:1
GBD-15	5000 PSI	5000 PSI	RATIO 20:1
GBD-30	6000 PSI	9000 PSI	RATIO 25:1
GBD-75	6000 PSI	20000 PSI	RATIO 25:1



Double Acting-Double Head Booster

Part. no	Pressure	Connection	Description
GBD-D15	5000 PSI	5000 PSI	RATIO 20:1
GBD-D30	6000 PSI	9000 PSI	RATIO 25:1
GBD-D75	6000 PSI	25000 PSI	RATIO 25:1



Two Stage-Double Acting Booster

Part. no	Pressure	Connection	Description
GBT-15/30	2500 PSI	9000 PSI	RATIO 50:1
GBT-15/75	5000 PSI	20000 PSI	RATIO 100:1
GBT-30/75	6000 PSI	20000 PSI	RATIO 60:1



Two Stage-Double Head Booster

Part. no	Pressure	Connection	Description
GBT-D15/30	2500 PSI	9000 PSI	RATIO 50:1
GBT-D15/75	5000 PSI	25000 PSI	RATIO 100:1
GBT-D30/75	6000 PSI	25000 PSI	RATIO 60:1



AIR BOOSTER, Compact Single Acting

Part. no	Pressure	Connection	Description
AB-2	150 PSI	300 PSI	RATIO 2:1
AB-4	150 PSI	600 PSI	RATIO 4:1



Double Acting - Single Stage

Part. no	Pressure	Connection	Description
ABD-2	150 PSI	300 PSI	RATIO 2:1
ABD-5	150 PSI	855 PSI	RATIO 4,7:1

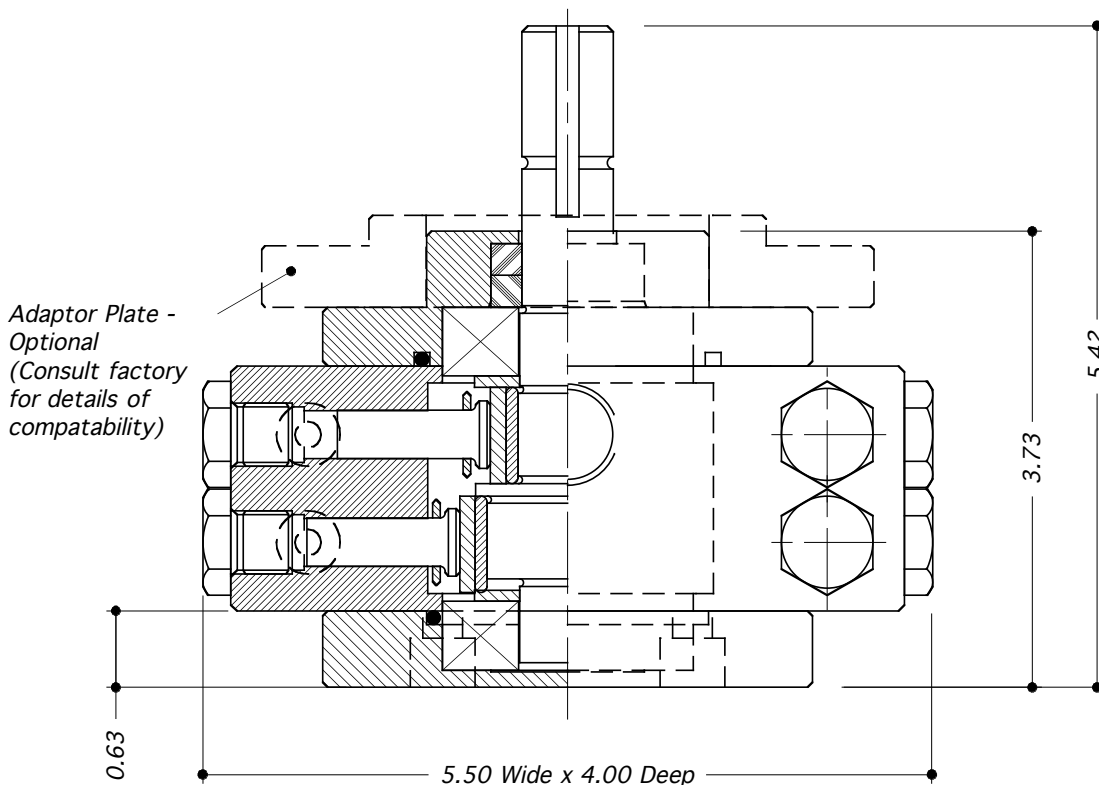




Valves Ltd

H.P. RADIAL PISTON PUMP TYPES: 260PR & 520PR

- MILD STEEL (EN1A / 220M07)
- SUITABLE FOR MINERAL OIL USE.
- ALL DIMENSIONS IN INCHES.



Note: This unit can be used with certain water glycol fluids. Consult factory for details.

TECHNICAL SPECIFICATION			ORDERING EXAMPLE
Material Option (non-std)	Not Applicable		—
Pump Type:	260PR	520PR	520PR
Max. Working Pressure:	12,000 psi		12K
Connections:	Suction: 1/2" BSP	Discharge: 1/4" BSP	
Delivery Rate:	Off Load	0.35 Galls/min	0.68 Galls/min
	On Load	0.20 Galls/min	0.48 Galls/min
Power Consumption:	Off Load	0.90 kW	1.00 kW
	On Load	2.90 kW	5.20 kW
Pump - r.p.m.	1440		
Working Fluid Viscosity Range:	10 - 250 cSt.		
Suction: (Lift)	12" Water Gauge		
Dry Weight: (kg)	9.0		
Working Temperature Range:	-10°C to +60°C (Oil)	-10°C to +40°C (other fluids)	
External Construction:	Mild Steel (En1A / 220M07)		

Note: Delivery and Power consumption vary linearly with output pressure. Hence, Flow and Power consumption may be determined by linear interpolation between stated "off-load" and "on-load" (12,000 psi) figures.

PUMP SYSTEMS

V100-316 Series	D & 10 Series	60 Series	30 Series
			

GAS BOOSTER SYSTEM

V2-316 Series	V2-316 Series	S106 Series
		

AIR BOOSTER SYSTEMS

S10304 Series	S10300 Series	S10301 Series
		